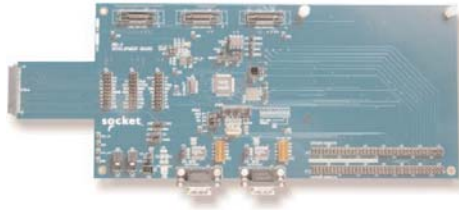


Tools for Embedding the mobilityIC Chip

The mobilityIC Dual Port or mDP (HIS3) is an ASIC that provides an interface between computer systems with support for CompactFlash or PC Cards to serial peripherals.

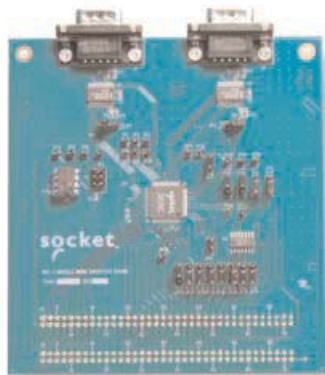


The mobilityIC chip support a superset of the standard 16C550 PC Compatible Universal Asynchronous Receiver Transmitter (UART) which has become a standard for interfacing serial peripherals to computer systems. The mDP has support for two UARTs.

The mobilityIC Dual Port Development Kit (mDP Development Kit) is a platform for exploring the capabilities and features of the mobilityIC chips. The mDP Development Kit consists of hardware and software tools that enable developers to formulate products based on the mobilityIC chips and validate their designs.

The optional mDP Module Mode Daughter Board provides additional capabilities for exploring the Module Mode features of the mDP chip. There are two intended usage scenarios:

- When the Module Mode Daughter Board is directly connected to an embedded system, the mDP chip interfaces with the local bus of the embedded system and provides two UARTs
- When the Module Mode Daughter Board is used in conjunction with the mDP Development Main Board, the combination provides a total of four UARTs.



KIT CONTENTS

- One mDP Development Kit printed circuit board assembly (Main Board) with 12 x 12 mDP chip installed
- Five (5) mDP chips (10 x 10 mm 80-pin TQFP package)
- One Type I PC Card Adapter
- One CD containing the following:
 - mDP/mSP Development Kit Main Board schematic
 - CF Serial I/O reference design schematic
 - The mDP Development Kit User's Manual
 - The mDP Specification
 - Hi-speed Dual Serial I/O software drivers (binaries) for the following OS versions:
 - Windows 950B, 98SE, Me, 2000, XP, Vista
 - Windows CE 2.11 or greater
 - Windows Mobile 2003, 2003SE, 5.0
 - Registry entry list for installing the Windows CE version of the drivers
 - Windows Tuple Programmer software and User's Guide
 - Tuple binary files

mobilityIC Dual Port ASIC

LIMITED AVAILABILITY

The mDP Development Kit can be purchased from the Socket OEM Group. The Dev Kit is only available to developers who are implementing non-competitive products. Before any additional technical product information and pricing is released, a Non-Disclosure Agreement must be signed with Socket.

Go to the OEM webpage for more details on Dev Kit and the project qualification process:
www.socketmobile.com/products/oem/mobilityic-dual-port-asic/



Sales Offices
 Corporate Headquarters:
 39700 Eureka Drive
 Newark, CA 94560 USA

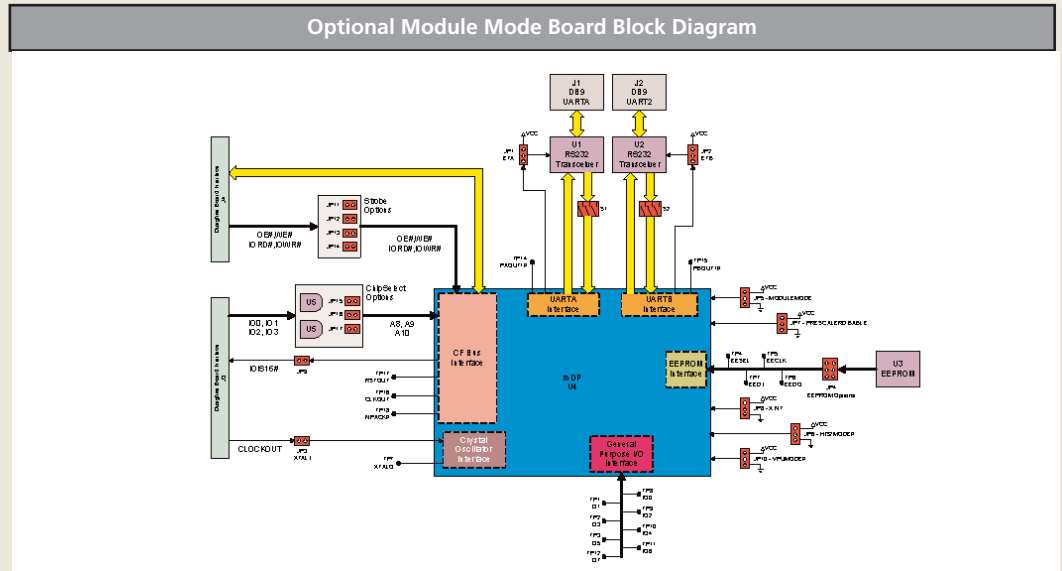
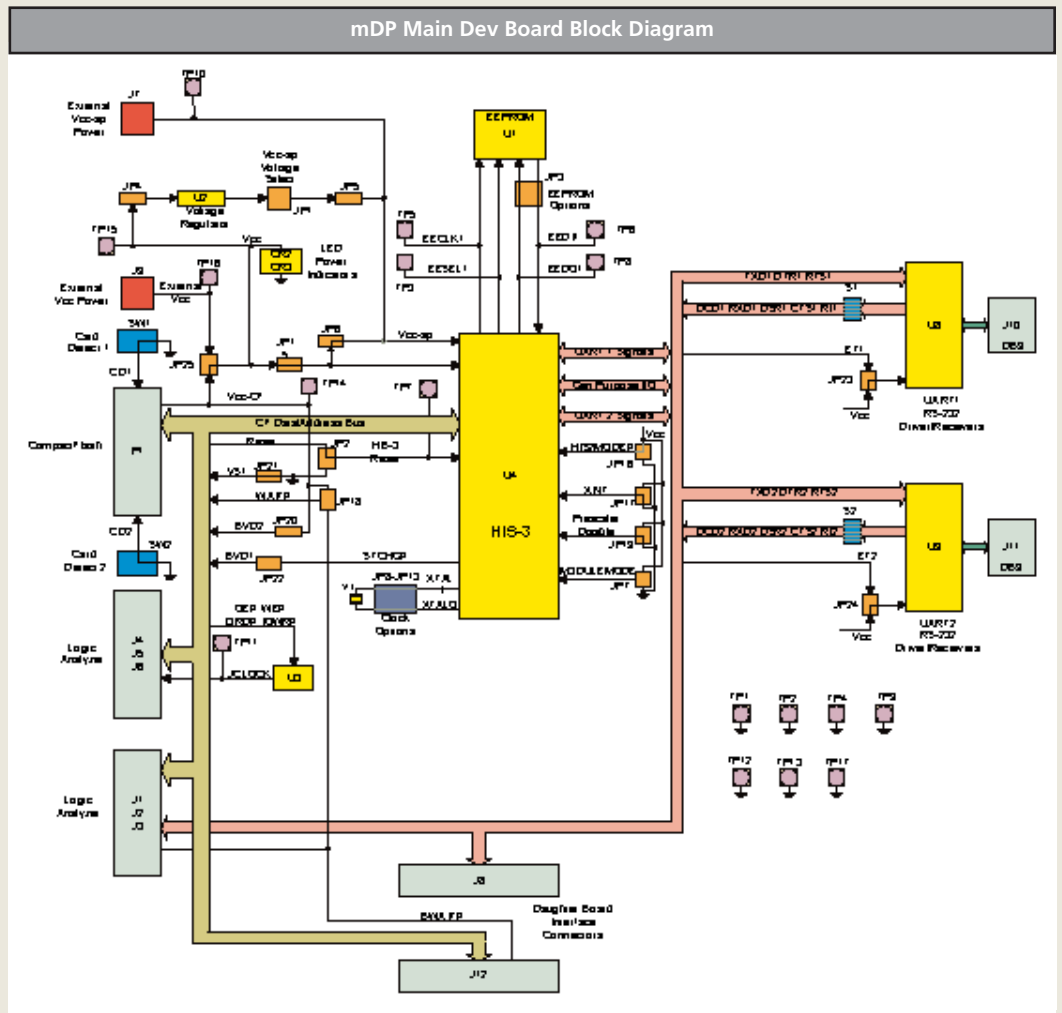
Web: socketmobile.com

Phone: +1-510-933-3000

USA & Canada Toll Free: 800-552-3300

Fax: +1-510-933-3030

Online: socketmobile.com/contact



© 2009, Socket Mobile, Inc. Socket, the Socket logo, mobilityIC, and Business Mobility Now! are registered trademarks or trademarks of Socket Mobile, Inc. Microsoft is a registered trademark of Microsoft Corporation in the United States and other countries. All other brand and product names are trademarks of their respective holders. Information is subject to change. 6450-00094 B 6/2009