

# Go Wi-Fi!® P320/P320X

## 802.11a/b/g SDIO WLAN Cards

### Specification Sheet

**PHYSICAL**

Interface Standard	SDIO 1.1
Network Standard	IEEE 802.11a/b/g
Dimensions	40 x 24 x 2.1 mm
Mass	6 g (0.2 oz)
Ruggedized Mounting	P320X includes mechanical mounting hole for secure embedded applications

**ENVIRONMENTAL**

Operating Temperature	-20° to +85° C (-4° to +185° F)
Storage Temperature	-40° to +85° C (-40° to +185° F)
Operating Humidity	90% maximum (non-condensing)
Indoor Range	~ 100 m (330 feet), typical office environment

**PERFORMANCE**

RF Front-end	Epic FM7705
Operating Voltage	3.3VDC +/- 5%
Power Consumption (3.3V)	802.11a/g — TX: 360 mA RX: 185 mA 802.11b — TX: 360 mA RX: 185 mA Sleep mode: 1.00mA
Antenna Type	P320: Printed PCB internal antenna P320X: 2 U.FL RF connectors to attach up to 2 dual-band (2.4 GHz and 5 GHz) antennas for antenna diversity
Modulation	802.11a/g: Orthogonal Frequency Division Multiplexing (OFDM) 54 Mbps/48 Mbps: 64-QAM 36 Mbps/24 Mbps: 16-QAM 18 Mbps/12 Mbps: QPSK 9 Mbps/6 Mbps: BPSK  802.11b: Direct Sequence Spread Spectrum (DSSS) 11 Mbps/5.5 Mbps: CCK 2 Mbps: DQPSK 1 Mbps: DBPSK
Transmit Power	802.11a 54 Mbps OFDM: 9 dBm +/-1.5 dBm 802.11g 54 Mbps OFDM: 11 dBm +/-1.5 dBm 802.11b 11 Mbps CCK: 15 dBm +/-1.5 dBm
Data Rate	802.11a/g: 54, 48, 36, 24, 18, 12, 9 and 6 Mbps 802.11b: 11, 5.5, 2, and 1 Mbps
Operating Frequency Bands	802.11b/g: 2.412 – 2.472 GHz, 2.484 GHz 802.11a: 5.15 – 5.825 GHz
Operating Channels	802.11b/g: North America: 11 channels (2.412 – 2.462 GHz) International: 13 channels (2.412 – 2.472 GHz)  802.11a: North America: 12 channels (5.15 – 5.35GHz, 5.725 – 5.825GHz) International: 19 channels (5.15 – 5.35GHz, 5.47 – 5.725GHz)

**PERFORMANCE (CONT'D)**

Typical Receiver Sensitivity	802.11a: -73dBm at 54Mbps, <10% PER 802.11b: -89 dBm at 11Mbps, <8% PER 802.11g: -74 dBm at 54Mbps, <10% PER	-92dBm at 6Mbps, <8% PER -94 dBm at 1Mbps, <8% PER -92 dBm at 6Mbps, <8% PER
Security Protocols	WEP 64/128 bit, WPA (TKIP/AES), WPA2 (TKIP/AES)	
Access Protocol	CSMA/CA with ACK	
Operating System Support	Windows Mobile 5.0 for Pocket PC Windows Mobile 6 Classic Windows CE: Please contact Socket OEM Sales for information. Linux and other RTOS (through 3rd party partners)	

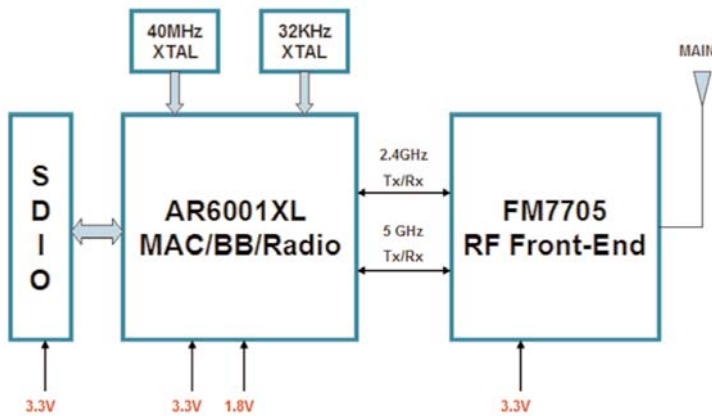
**LEGAL**

Regulatory Compliance	FCC, IC, CE, TELEC, RoHS, Wi-Fi Certified
Warranty	One year

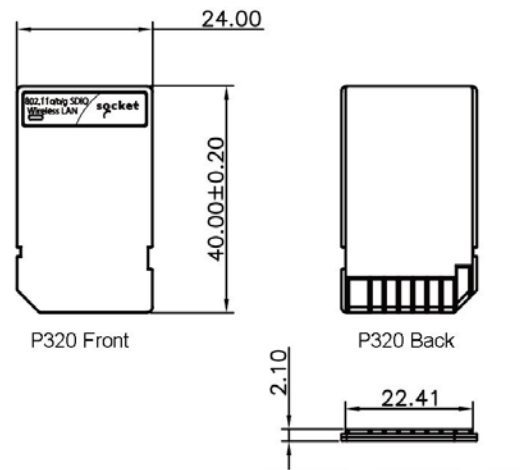
**SKU**

Go Wi-Fi! P320	North America	Single: WL6231-1123 20 pack: WL6232-1124
	International	Single: WL6233-1125 20 pack: WL6234-1126
Go Wi-Fi! P320X	Please contact Socket OEM Sales.	

**Functional Block**

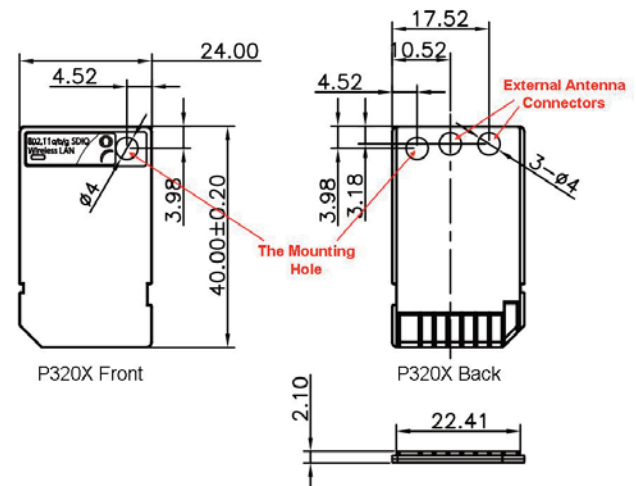


**P320 Physical Dimensions**



PIN DESCRIPTION	
PIN#	Pin Name in SDIO spec
1	CD/DAT[3]
2	CMD
3	VSS1
4	VDD
5	CLK
6	VSS2
7	DAT[0]
8	DAT[1]
9	DAT[2]

**P320X Physical Dimensions**



Sales Offices

Corporate Headquarters:  
39700 Eureka Drive  
Newark, CA 94560 USA

Web: socketmobile.com

Phone: +1-510-933-3000

USA & Canada Toll Free: 800-552-3300

Fax: +1-510-933-3030

Online: socketmobile.com/contact

© 2008-2009, Socket Mobile, Inc. Socket, the Socket logo, Business Mobility Now!, Go Wi-Fi! and Battery Friendly are registered trademarks or trademarks of Socket Mobile, Inc. Wi-Fi is a registered trademark of the Wi-Fi Alliance. Microsoft is a registered trademark of Microsoft Corporation in the United States and other countries. All other brand and product names are trademarks of their respective holders. 6450-00183 E 6/2009