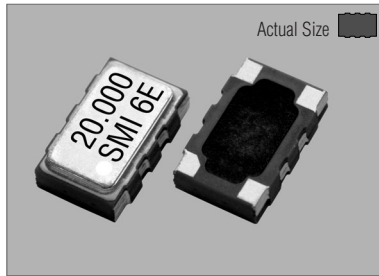
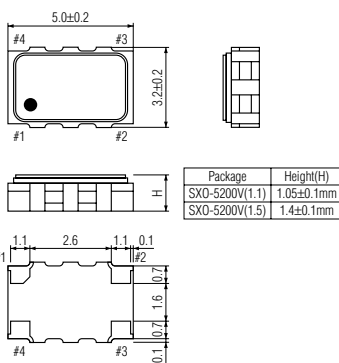


SXO-5200V

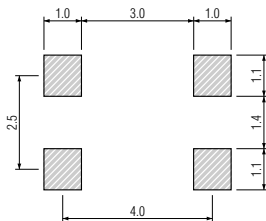


SXO-5200V

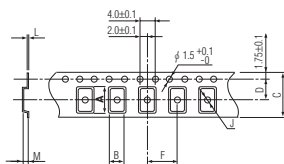


PIN	CONNECTION
1	Vcon
2	GND
3	OUTPUT
4	+VDC

SOLDERING PATTERN



TAPE SPECIFICATIONS



A	B	C	D	F	J	L	M	Reel Dia.	Qty/Reel
5.5	3.7	12.0	5.5	8.0	1.5	0.3	1.7	330	2000pcs

STANDARD SPECIFICATIONS

Item	Specifications																
Generic part number	SXO-5200V																
Frequency range	5.000000 MHz to 45.000000 MHz																
Initial frequency tolerance	±1.5 ppm max. (Vcon = 1/2VDD DC at +25°C ±2°C)																
Frequency stability	Temperature range: ±2.5 ppm max. over -30°C to +75°C (referred to +25°C) Input voltage change: ±0.3 ppm max. at VDD ±5% DC Output load change: ±0.2 ppm max. at 10k Ω ±10% with 10 pF ±10% Aging: ±1.0 ppm max. / year at +25°C ±3°C																
Absolute Max. Ratings	Supply voltage: -0.6V to +6.0V Control voltage (Vcon): -0.6V to VDD+0.6V Storage temperature: -40°C to +85°C																
Operating Conditions	Operating temperature: -30°C to +75°C (standard) Input voltage (VDD): F = +2.5V, H = +2.8V, J = +3.0V (standard), K = +3.3V DC ±5% Control voltage (Vcon): 1/2VDD ±1V DC (VDD = +2.5V, +2.8V, +3.0V or +3.3V)																
Input current	1.0 mA max. (12 MHz to 15 MHz) 1.3 mA max. (15 MHz to 26 MHz) 2.0 mA max. (26 MHz to 44 MHz)																
Output	Level: 0.8Vp-p min. Load: 10k Ω // 10 pF Waveform: Clipped sine wave (DC-coupling)																
Frequency Adjustment	Voltage control (1/2VDD ±1V): ±9.0 ppm to ±15.0 ppm (standard) Frequency slope: ±6.5 ppm to ±9.0 ppm (CDMA) Positive																
SSB phase noise	-130 dBc/Hz at 1 kHz offset																
Startup time	3.5 ms max.																
IR reflow resistance	±1.0 ppm max.																
Reflow condition	+250°C ±10°C for 10 seconds																
Standard frequencies (MHz)	12.000000 12.600000 12.800000 13.000000 14.400000 15.360000 15.600000 16.000000 16.367000 16.368000 16.370000 16.384000 16.800000 18.414000 19.200000 19.440000 19.680000 19.800000 20.000000 23.920000 24.000000 26.000000																
Optional operating temperature (select "low limit" and "high limit" for new operating temperature combination from the right-hand lists.)	<table border="0"> <tr> <td>Low limit / Symbol</td> <td>High limit / Symbol</td> </tr> <tr> <td>-10°C / g</td> <td>+55°C / ff</td> </tr> <tr> <td>-15°C / h</td> <td>+60°C / gg</td> </tr> <tr> <td>-20°C / i</td> <td>+65°C / hh</td> </tr> <tr> <td>-25°C / j</td> <td>+70°C / ii</td> </tr> <tr> <td>-30°C / k</td> <td>+75°C / jj</td> </tr> <tr> <td>-35°C / l</td> <td>+80°C / kk</td> </tr> <tr> <td>-40°C / m</td> <td>+85°C / ll</td> </tr> </table>	Low limit / Symbol	High limit / Symbol	-10°C / g	+55°C / ff	-15°C / h	+60°C / gg	-20°C / i	+65°C / hh	-25°C / j	+70°C / ii	-30°C / k	+75°C / jj	-35°C / l	+80°C / kk	-40°C / m	+85°C / ll
Low limit / Symbol	High limit / Symbol																
-10°C / g	+55°C / ff																
-15°C / h	+60°C / gg																
-20°C / i	+65°C / hh																
-25°C / j	+70°C / ii																
-30°C / k	+75°C / jj																
-35°C / l	+80°C / kk																
-40°C / m	+85°C / ll																

PACKAGE DATA

Item	Package	SXO-5200V
Lid		Metal
Base		Ceramic
Sealing		Seam
Terminal		Tungsten (metalized)
Terminal plating		Gold / Nickel (surface) / (under)
RoHS		Compliant (Pb-free)